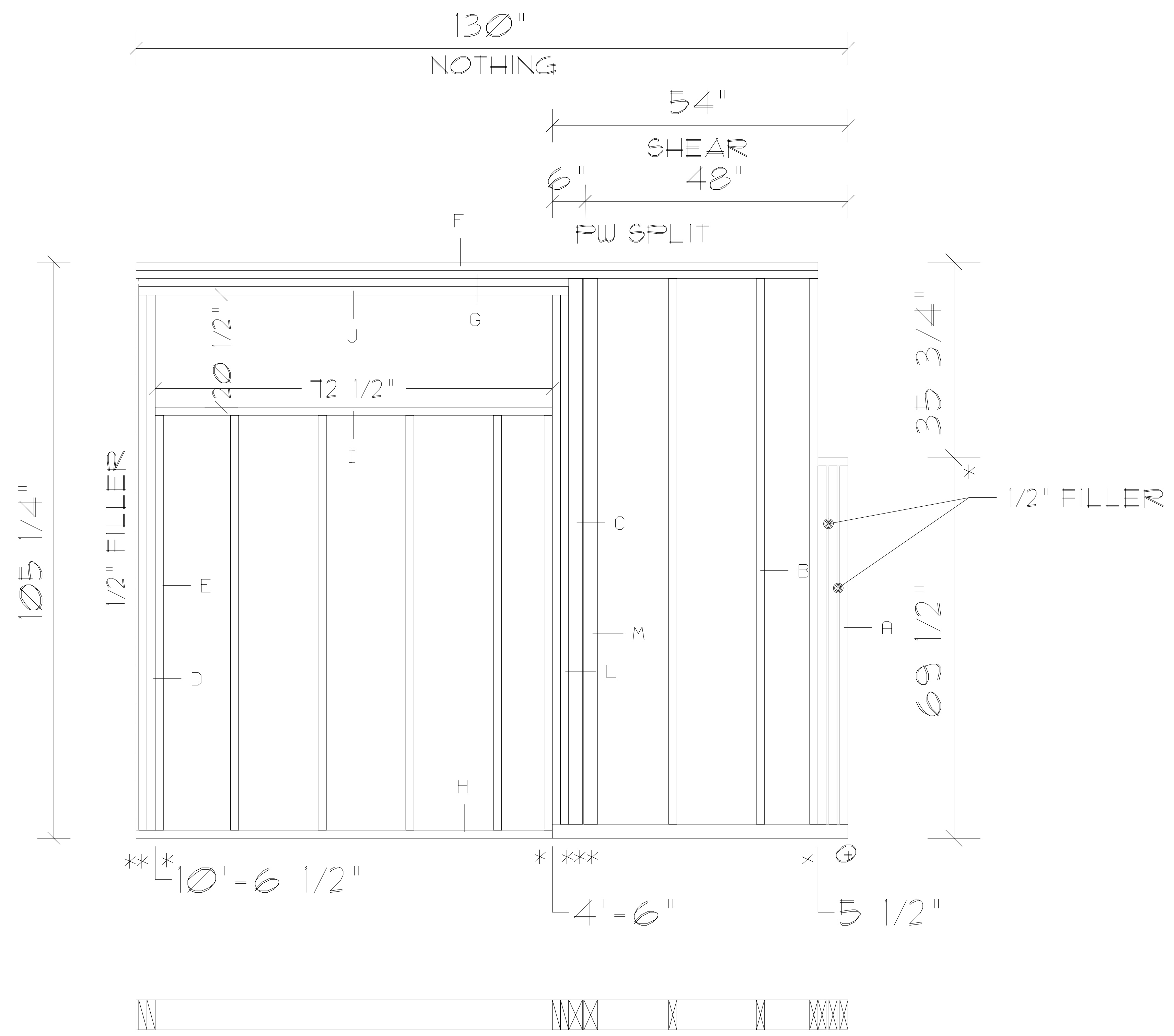


11	Lev D	SIZE 6"	ST. BLK. Ø"	VTP EXTENSIONS		SHEATHING EXTENSIONS				PROJECT 1		COMPANY DETAILS	
	EXTLB	SPACING 16"	ST. STRT. 16"	LEFT -5 1/2"	RIGHT FLUSH	LEFT N/A	RIGHT N/A	TOP N/A	BOTTOM N/A	UNIT NO. 1	LAST REV.	DATE Nov 10 2008	NAME LCL



DESCRIPTION	QTY	SIZE	LENGTH	DESCRIPTION	QTY	SIZE	LENGTH
A-STUD	3	2x6	65 7/16"	F-VTP	1	2x6	124 1/2"
B-STUD	3	2x6	99 11/16"	G-TOP PLT	1	2x6	124 1/2"
C-JACK STUD	1	3x6	99 11/16"	H-BOTTOM PLATE	1	2x6	76"
D-JACK	2	2x6	97 3/4"	I-SILL	1	2x6	72 1/2"
E-CRIPPLE	6	2x6	75 3/4"	J-HEADER PLATE	2	2x6	78 1/2"
				K-BOTTOM PLATE	1	3x6	54"
				L-JACK	2	2x6	99 11/16"
				M-STUD	1	3x6	99 11/16"