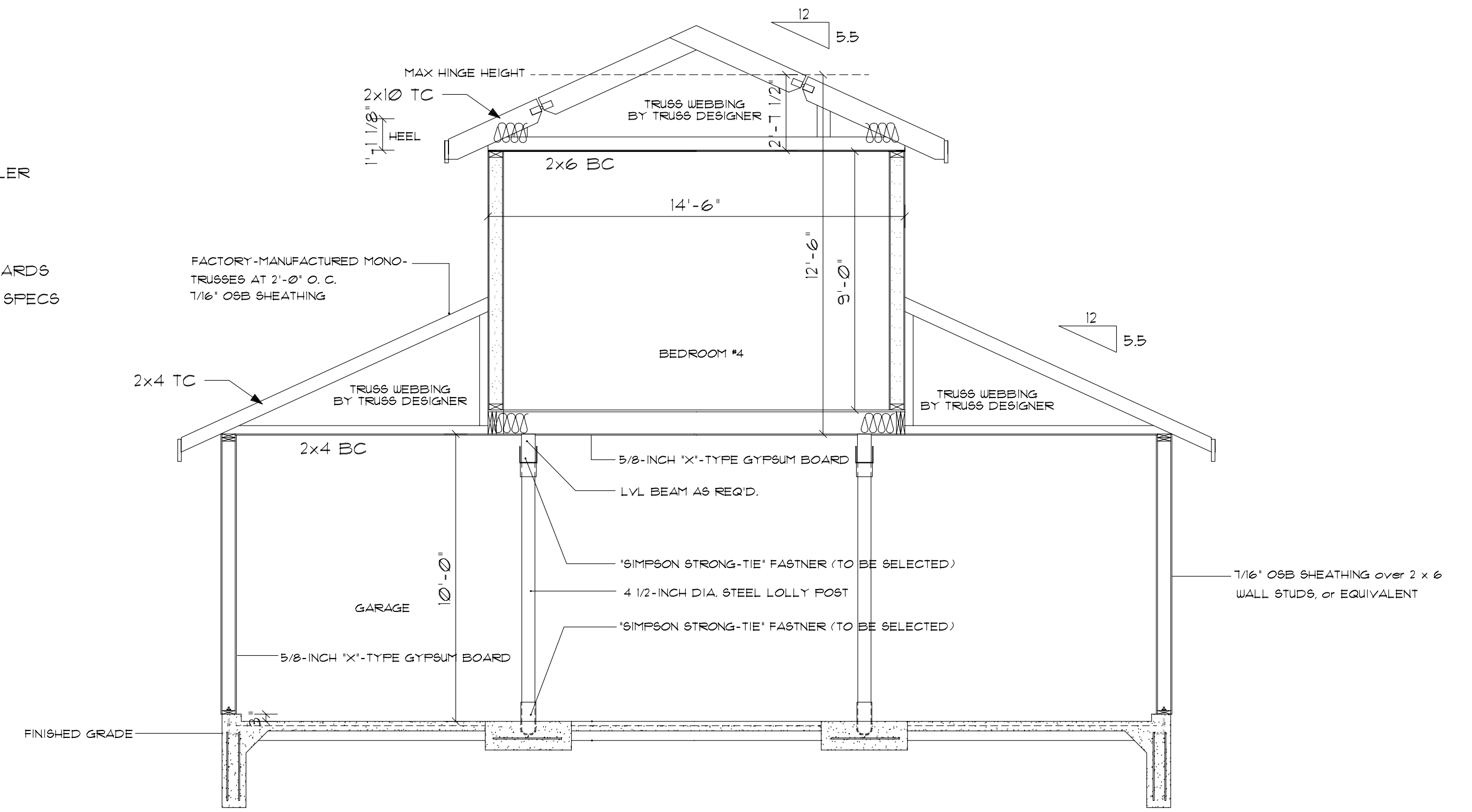
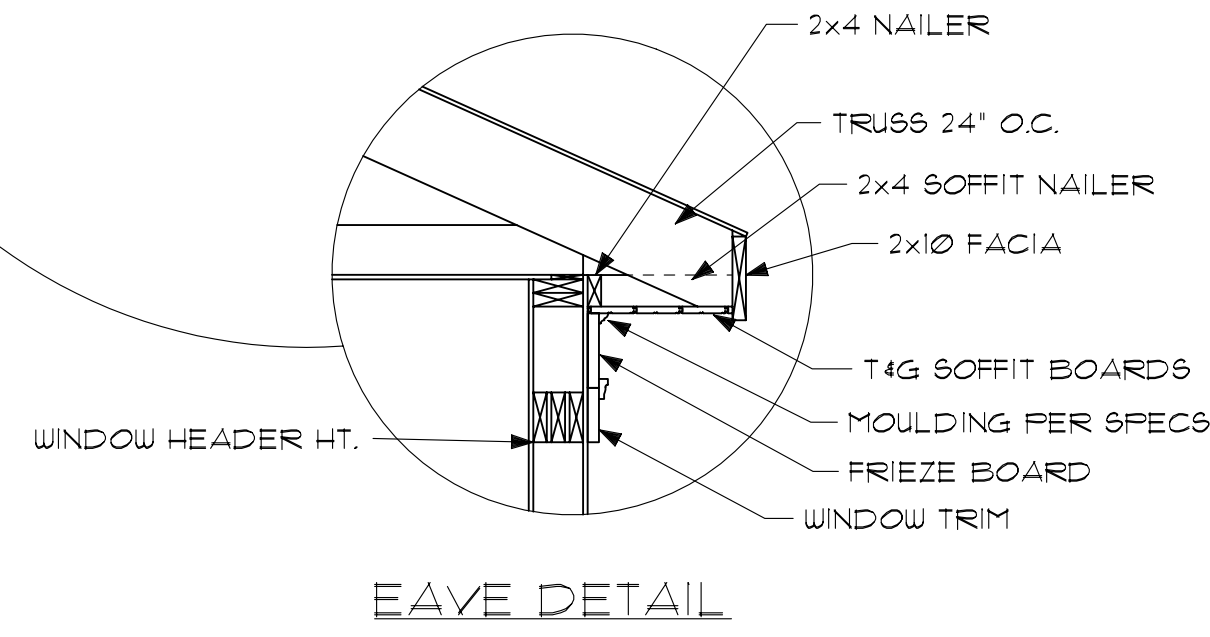
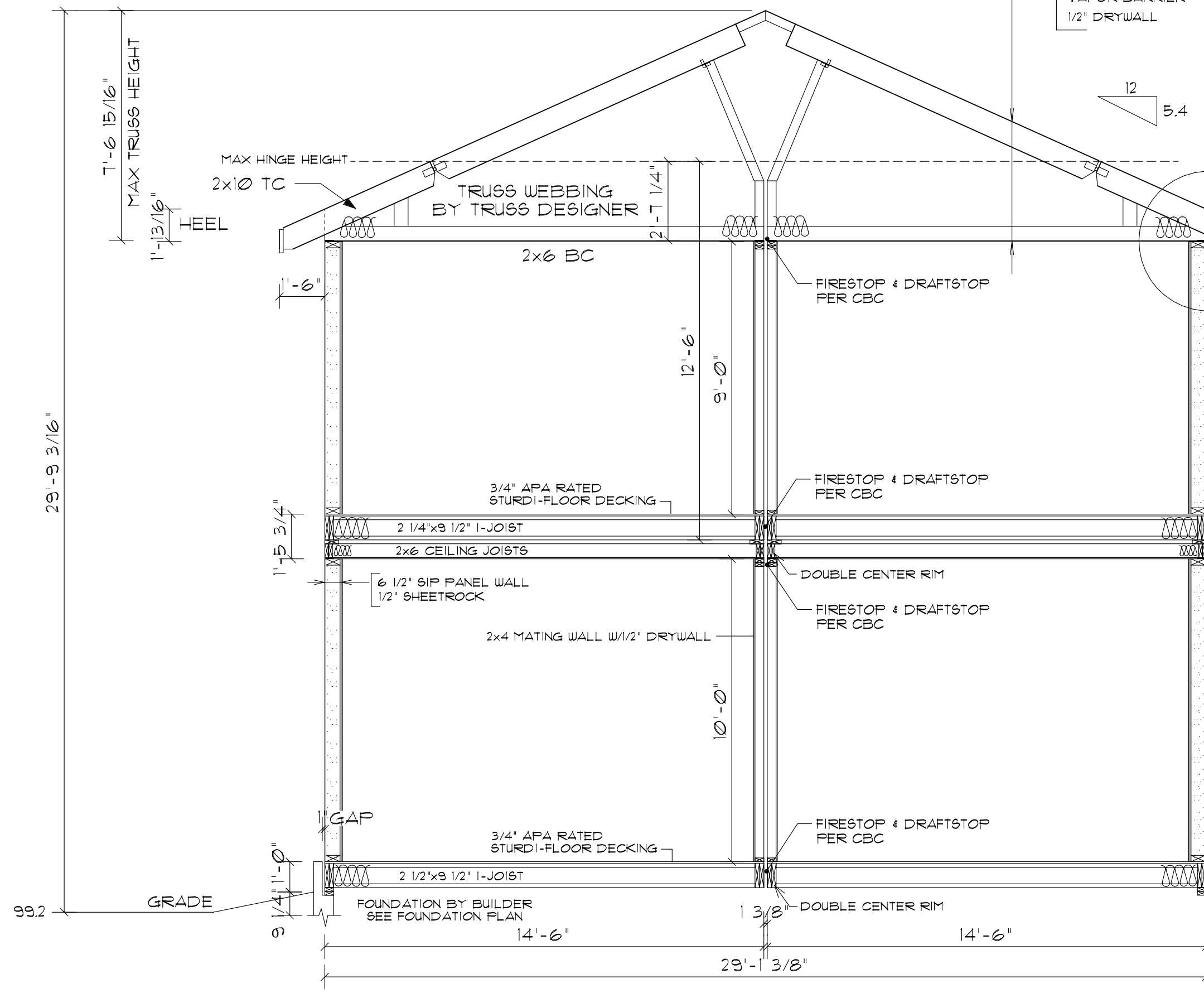


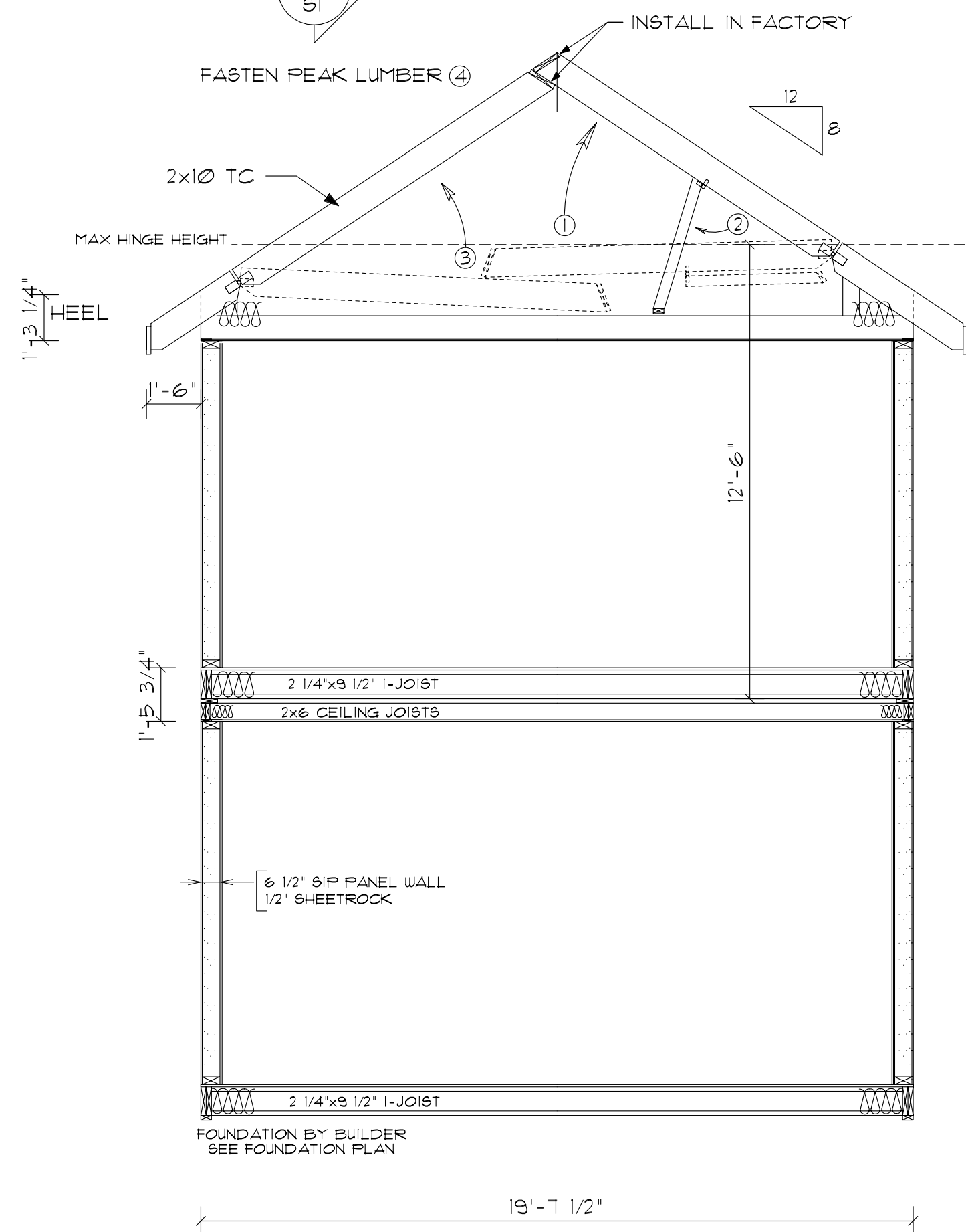
NOTE: 2 ROWS OF ICE/WATER SHIELD OR EQUIVALENT WITH A 6" OVERLAP EXTENDING FROM OVERHANG TO A MINIMUM 24" INSIDE THE INTERIOR WALL LINE. REMAINING ROOF TO HAVE 2 LAYERS 15# FELT AS REQ'D BY SHINGLE MANUFACTURER

24# SELF-SEALING FIBERGLASS SHINGLES
 SINGLE LAYER 15# ROOF FELT
 1/2" APA STRUCTURAL ROOF SHEATHING W/CLIPS
 R-38 INSULATION
 TRUSS - 24" O.C.
 VAPOR BARRIER
 1/2" DRYWALL



SECTION DETAIL

SCALE : 1/4" = 1'-0"



SECTION DETAIL

SCALE : 1/4" = 1'-0"

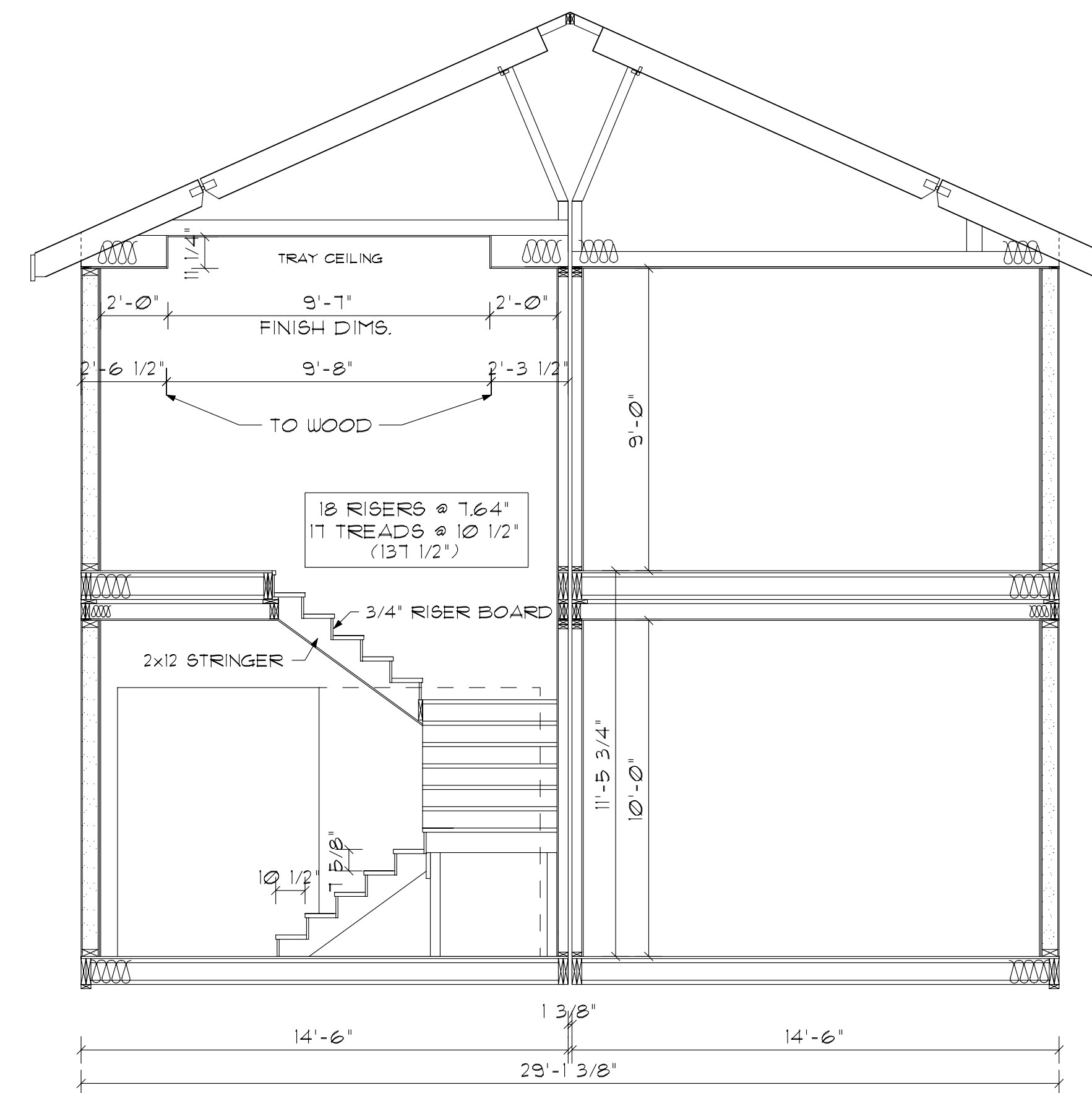
GENERAL NOTES

EXTERIOR JOINTS IN THE BUILDING ENVELOPE THAT ARE SOURCES OF AIR LEAKAGE SUCH AS ROUND WINDOWS AND DOOR FRAMES, BETWEEN WALLS AND FOUNDATIONS, BETWEEN WALLS AND ROOF/CEILING AND BETWEEN WALL PANELS, OPENINGS AT PENETRATIONS OF UTILITY SERVICES THROUGH WALLS, FLOORS, AND ROOFS AND ALL OTHER SUCH OPENINGS IN THE BUILDING ENVELOPE SHALL BE CAULKED, GASKETED, WEATHER STRIPPED, OR OTHERWISE SEALED IN AN APPROVED MANNER

SOFFIT VENTS AND RIDGE VENTS EQUAL TO 1/150 OF TOTAL ROOF AREA (THIS FACTOR MAY BE REDUCED TO 1/300 WHEN A VAPOR BARRIER OF 1 PERM OR LESS IS INSTALLED IN ATTIC) MIN 5.6 AQ. FT. NET VENT AIR IS REQUIRED.

SECTION DETAIL

SCALE : 1/4" = 1'-0"



STAIR SECTION DETAIL

SCALE : 1/4" = 1'-0"